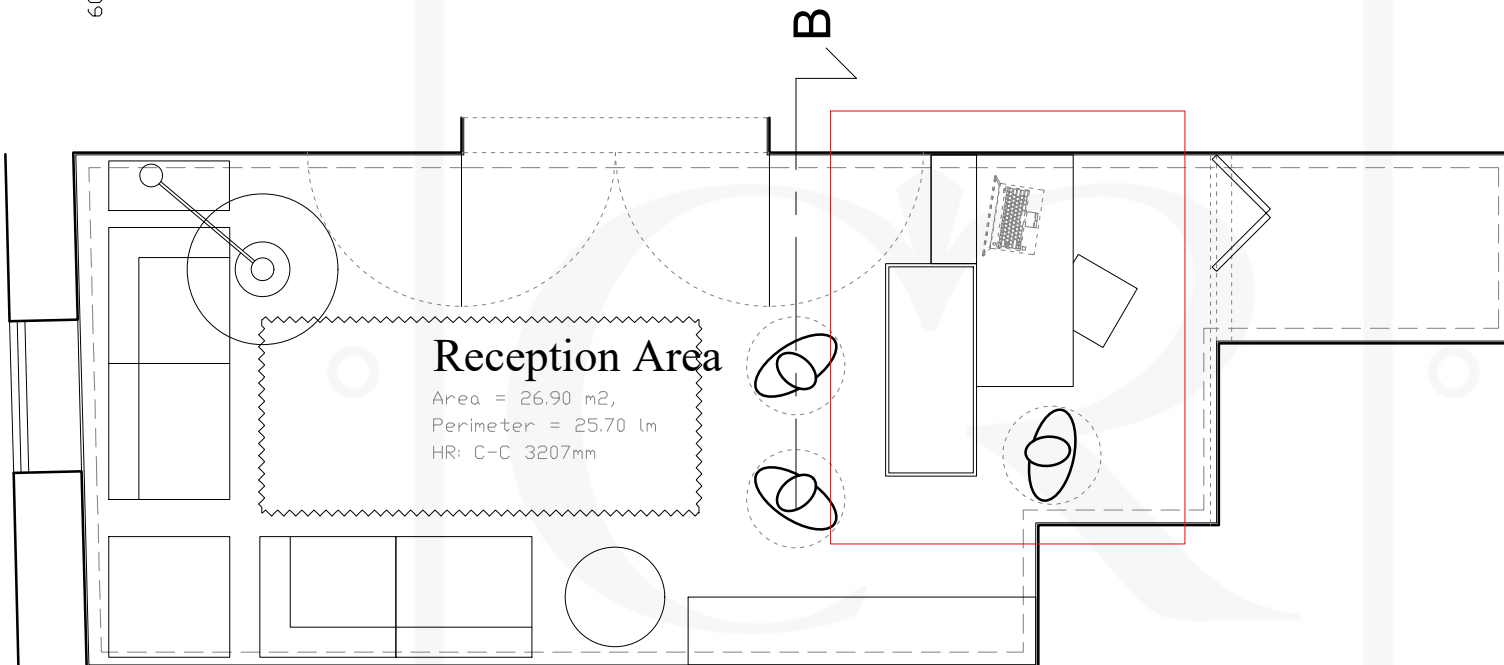
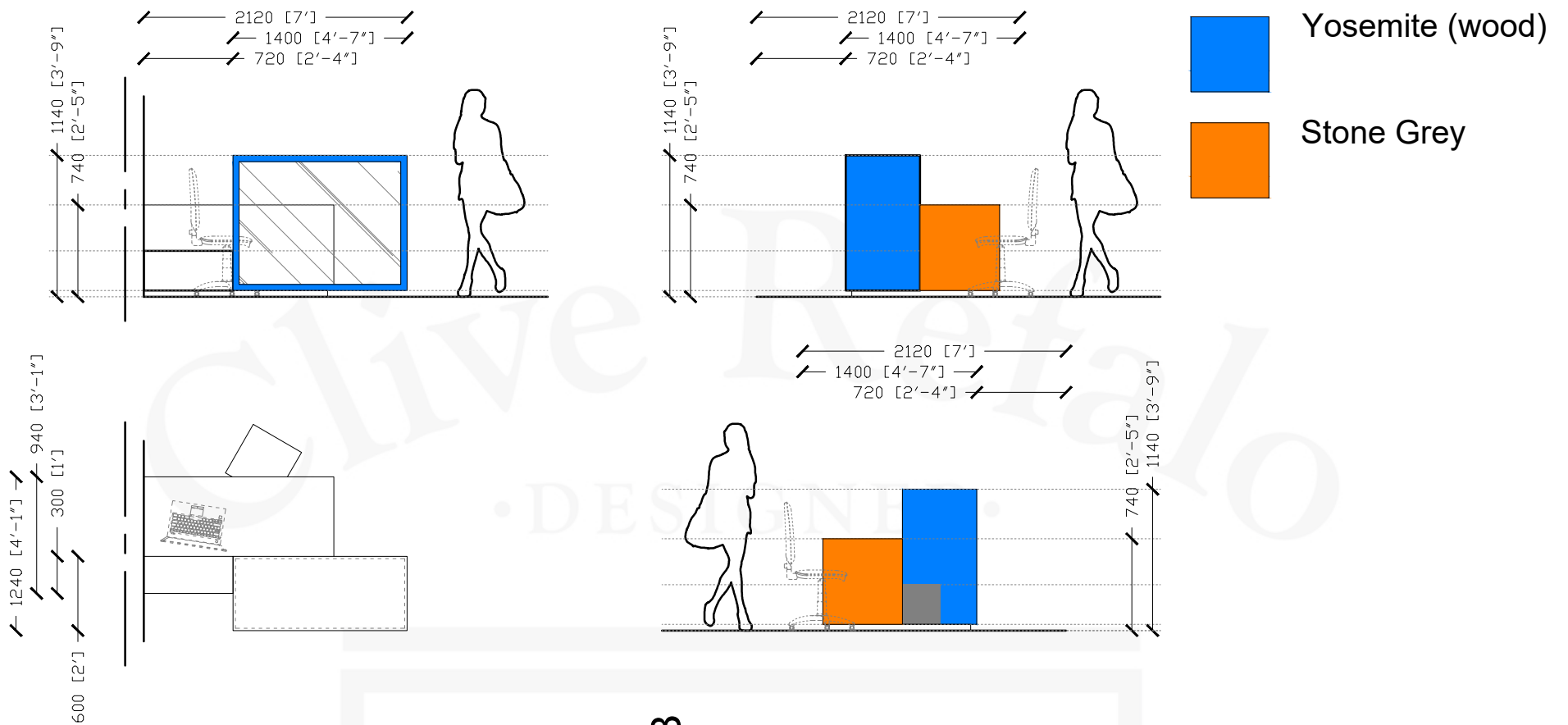


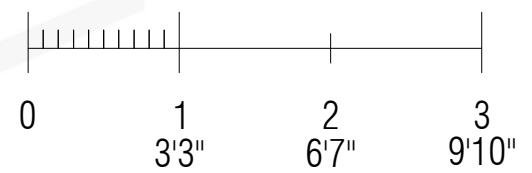
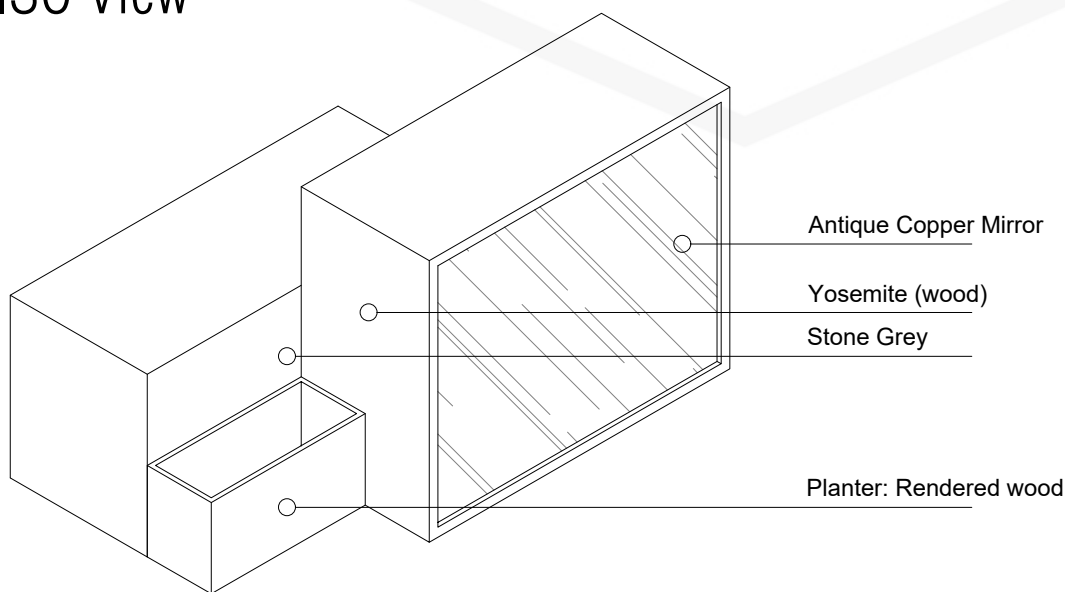
Proposed Planning
Reception Front Desk
Scale 1:50

Det G 01



Scale 1:50

ISO View



NOTES:

This drawing is to be read in conjunction with all other relevant drawings.

Any discrepancies shall be brought forward to the attention of the designer in charge of the project immediately.

The contractor shall be responsible for taking detailed measurements for every individual job which shall be checked on site prior to any work commencing.

All dimensions shown on this drawing are only indicative and shall NOT be used for manufacturing purposes unless noted otherwise.

This drawing is to be printed on A3 standard paper. Actual size printing command is to be used in order to retain scale.

All dimensions are in millimeters.